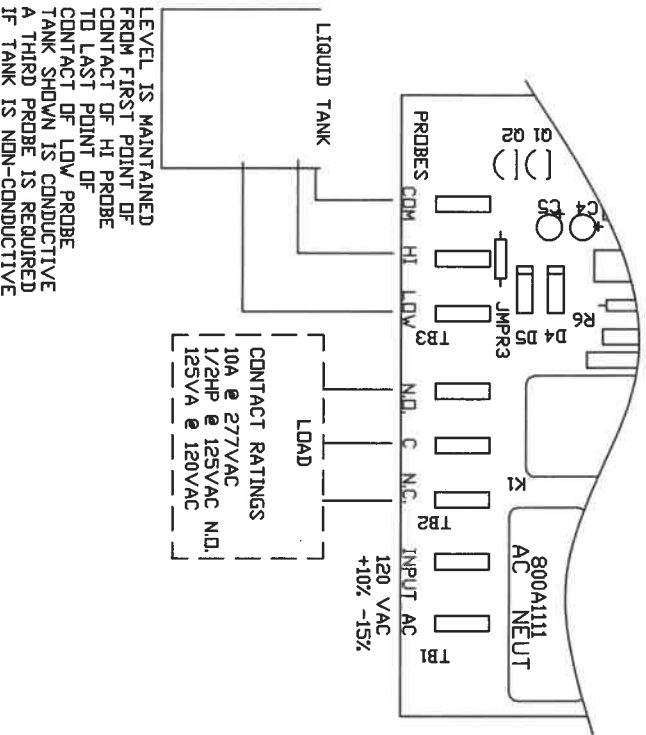


LIQUID LEVEL CONTROLLER MODEL 3XXXX SPECIFICATIONS

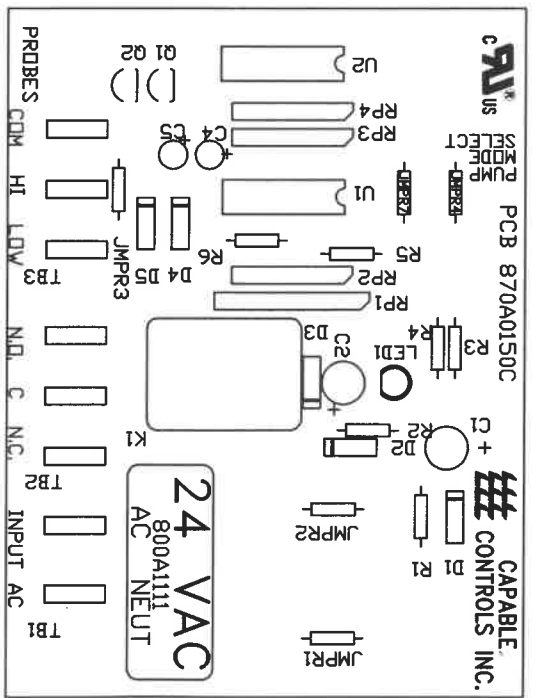
| | MODEL 31XXX | MODEL 32XXX |
|-----------------------------|---|---|
| OPERATIONAL VOLTAGE 50/60Hz | 24 VAC +/-20% | 120 VAC +10% -15% |
| OPERATIONAL CURRENT | 5ma TO 30ma | 5ma TO 12.4ma |
| PROBE VOLTAGE | 20 VAC MAX. | 20 VAC MAX. |
| PROBE CURRENT | 70 MICRO AMPS MAX. | 70 MICRO AMPS MAX. |
| PROBE SENSITIVITY | 50K OR 100K +/-10% | 50K OR 100K +/-10% |
| TEMPERATURE RATING | -10C TO 85C | -10C TO 85C |
| HUMIDITY (NON-CONDENSING) | 0 TO 95% | 0 TO 95% |
| RELAY CONTACTS | 10A @ 277 VAC 1/2HP @ 125 VAC 125VA @ 120 VAC | 10A @ 277 VAC 1/2HP @ 125 VAC 125VA @ 120 VAC |
| RELAY LIFE: ELECTRICAL | 100,000 MIN. @ FULL LOAD | 100,000 MIN. @ FULL LOAD |
| RELAY LIFE: MECHANICAL | 10,000,000 | 10,000,000 |

TYPICAL WIRING DIAGRAM



CAPABLE CONTROLS INC.

LIQUID LEVEL CONTROLLER MODEL 31XXX

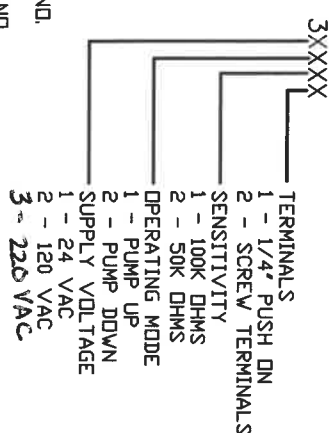


OPERATING DESCRIPTION

PUMP UP MODE:
WHEN THE LIQUID LEVEL FALLS BELOW THE LOW PROBE, THE CONTROLLER ENERGIZES THE RELAY. THE VOLUME OF LIQUID CAN BE INCREASED UNTIL THE LEVEL REACHES THE HI PROBE. WHEN THE HI PROBE IS REACHED, THE CONTROLLER WILL DE-ENERGIZE THE RELAY.

PUMP DOWN MODE:
WHEN THE LIQUID LEVEL RISES TO THE HI PROBE, THE CONTROLLER ENERGIZES THE RELAY. THE VOLUME OF LIQUID CAN BE DECREASED UNTIL THE LEVEL FALLS BELOW THE LOW PROBE. WHEN THE LOW PROBE IS CLEAR OF LIQUID, THE CONTROLLER WILL DE-ENERGIZE THE RELAY.

PART NUMBERING SYSTEM



ASSEMBLY PART NO.
800AXXXXX
MATCHING MODEL NO.
EXAMPLES
3111 800A1111 24 VAC, PUMP UP, 100K, 1/4" TERMINALS
3221 800A2211 120 VAC, PUMP DOWN, 100K, 1/4" TERMINALS