

16

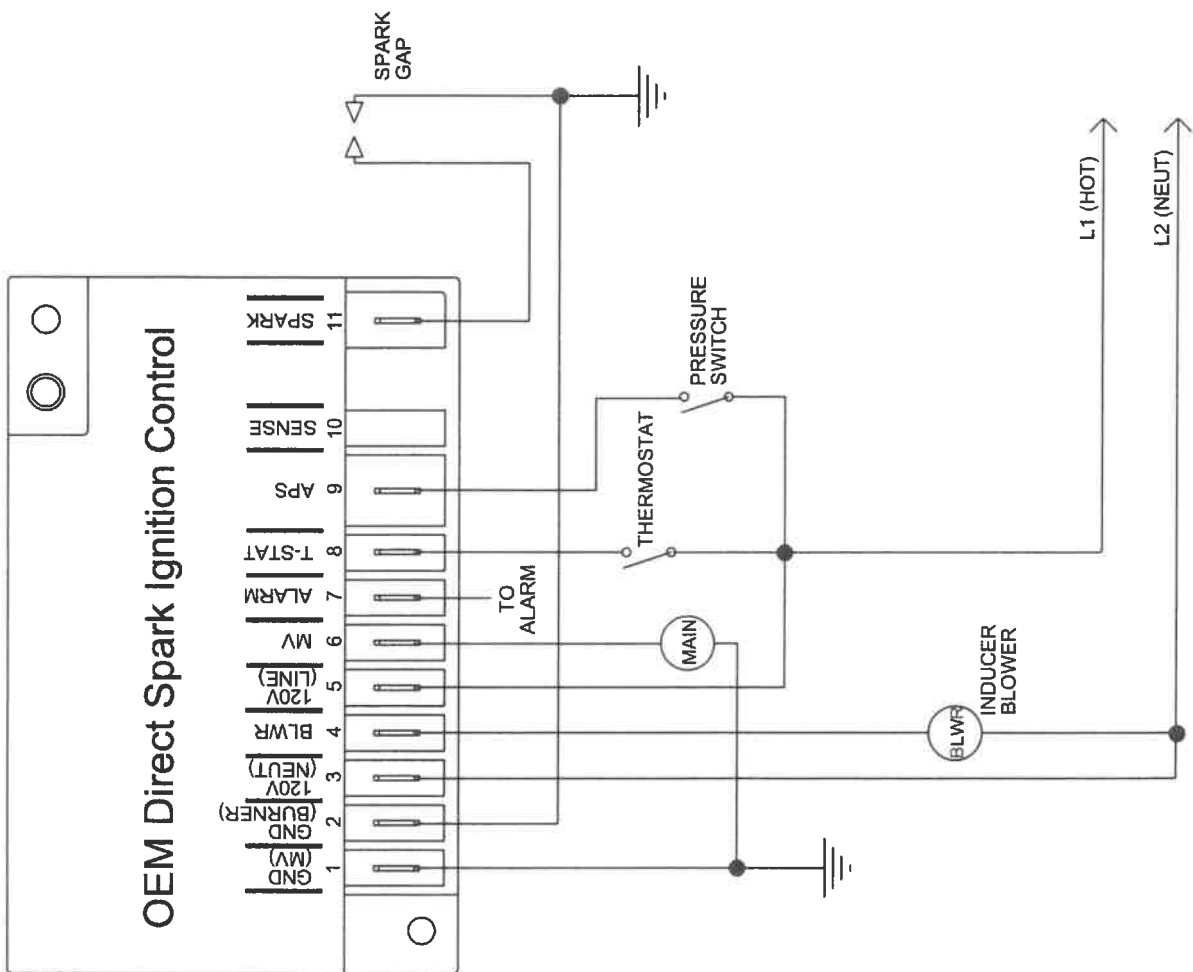


FIG.17 TYPICAL WIRING, HARDWARE TYPE 30,32,34,36