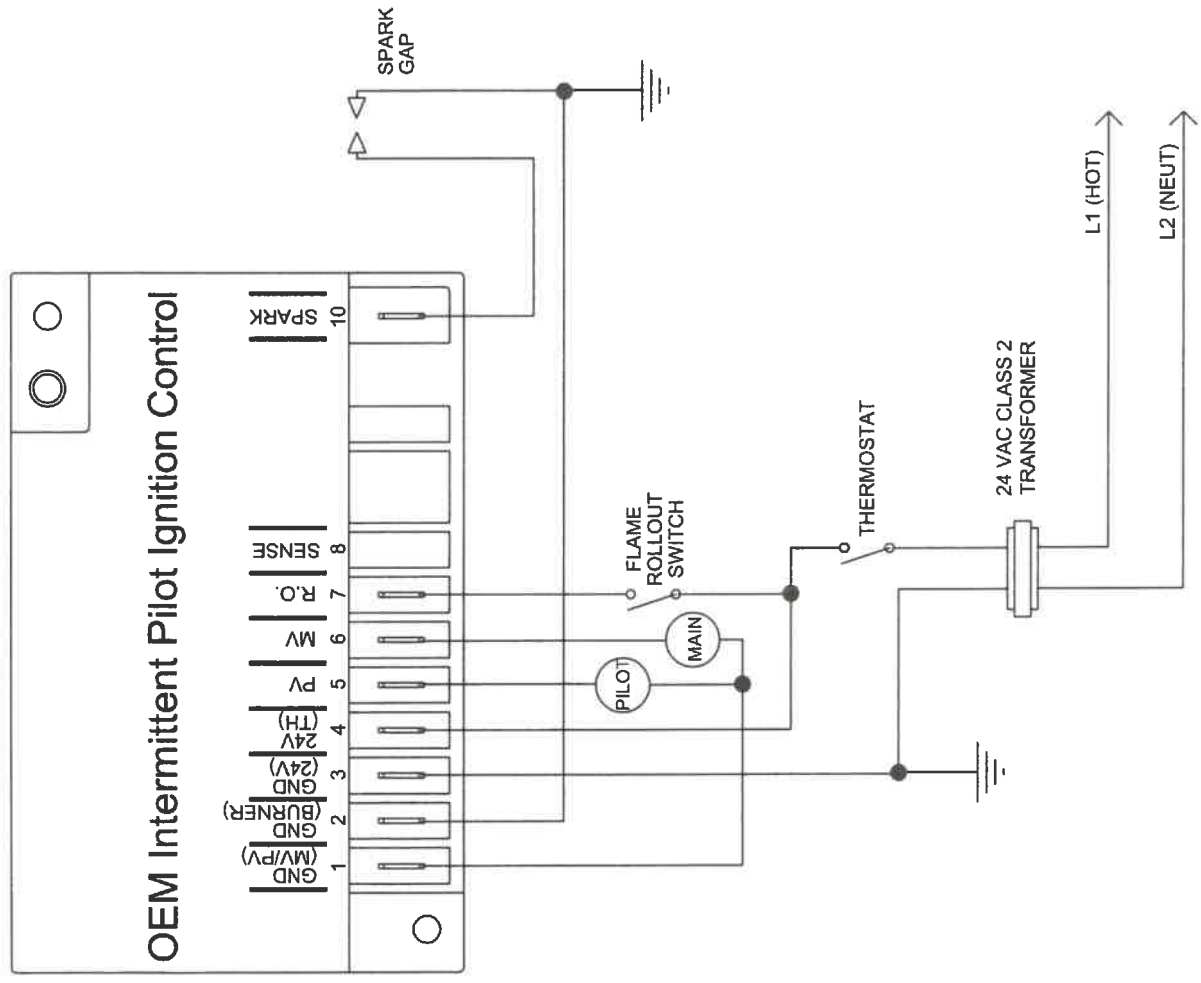


5



Note: no connection at R.O. terminal for non-rollout models
 SENSE terminal not required for internal flame sense models

FIG.12 TYPICAL WIRING, HARDWARE TYPE 25,27