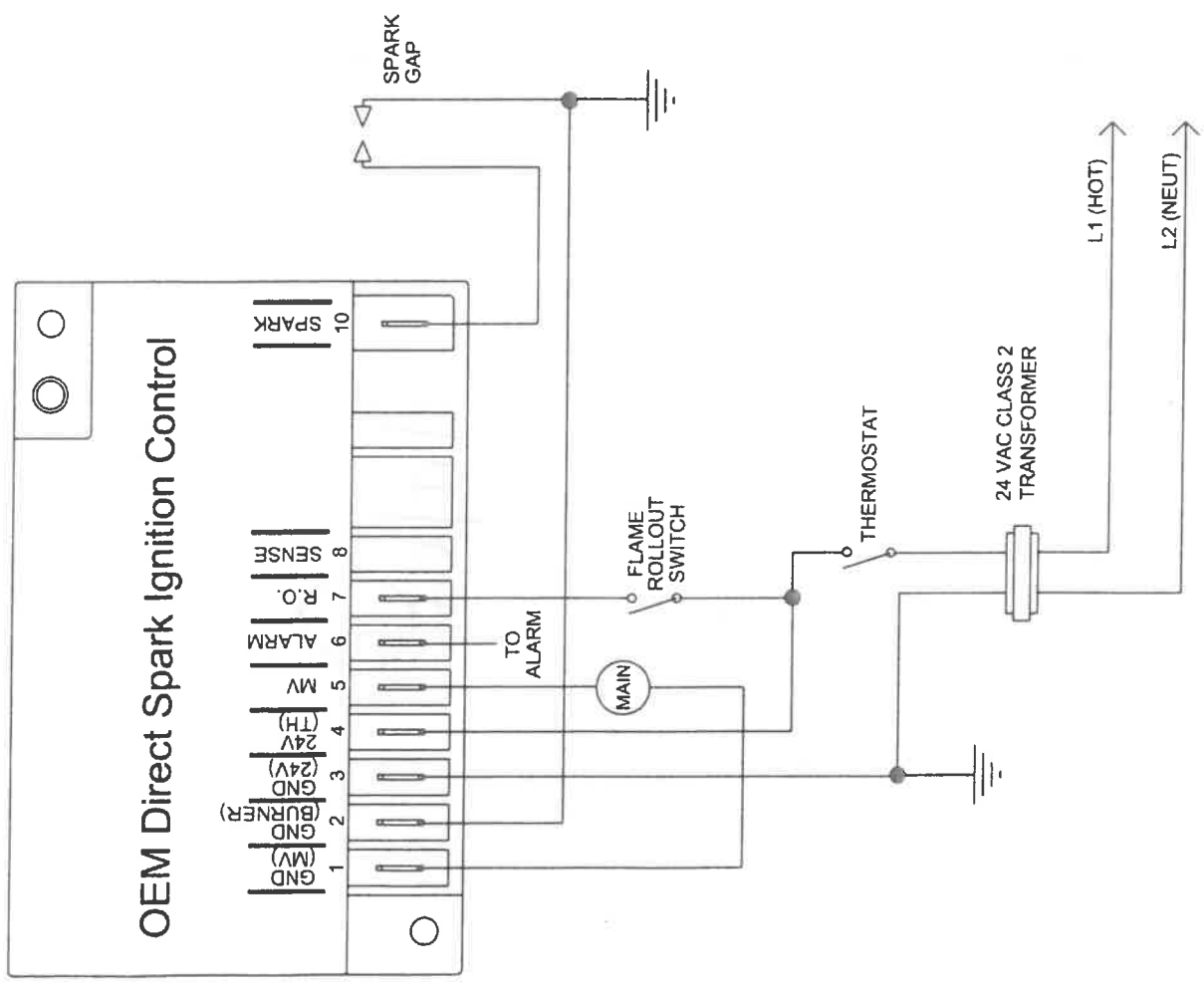


1



Note: no connection at R.O. terminal for non-rollout models
SENSE terminal not required for internal flame sense models

FIG.8 TYPICAL WIRING, HARDWARE TYPE 09,11,13,15,17,19,21,23